



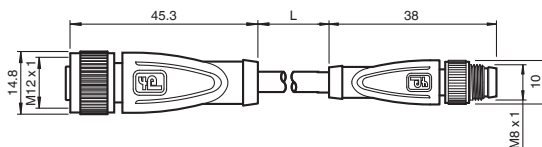
Technical data

Number of pins	3	4
Electrical data		
Operating voltage U_B	Max. 60 V AC/DC	Max. 30 V AC/DC
Testing voltage	> 1500 V _{eff} AC	
Operating current	Max. 3 A	
Volume resistance	< 5 mΩ	
Ambient conditions		
Ambient temperature	-40 ... 90 °C for body Information on cable quality can be found beginning on page 10	
Degree of pollution	3	
Mechanical data		
Contact elements	Spring-loaded contact sockets	
Pin diameter	1 mm	
Degree of protection	IP67	
Materials		
Contacts	CuSn / Au	
Contact surface	Au	
Body	TPU, green	
Coupling nut	Die-cast zinc	
Push-on sleeve	Die-cast zinc	

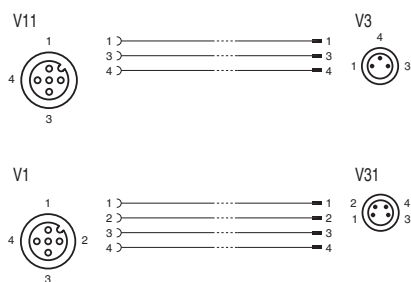
Features

- Knurled nut suitable for tool mounting
- Mechanical detent for vibration protection
- Gold-plated and machined contacts

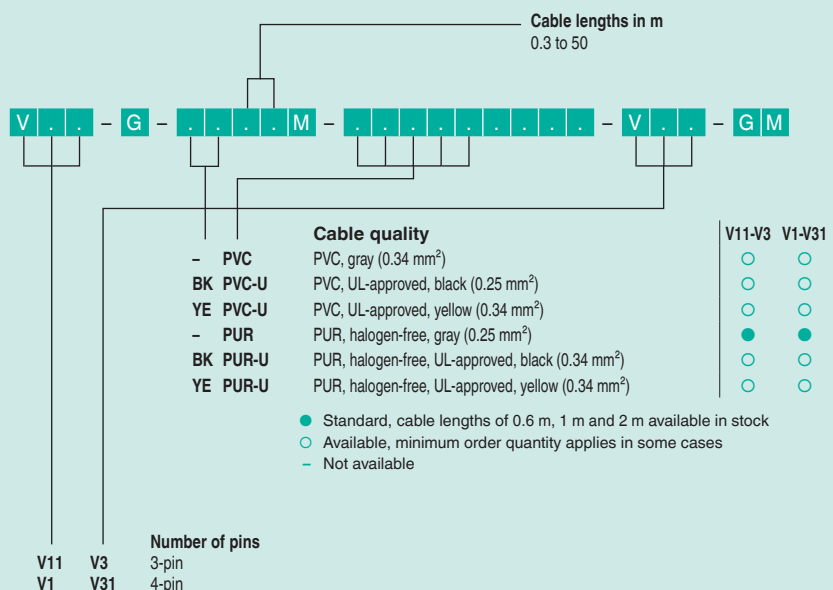
Dimensions



Electrical connection



Order codes





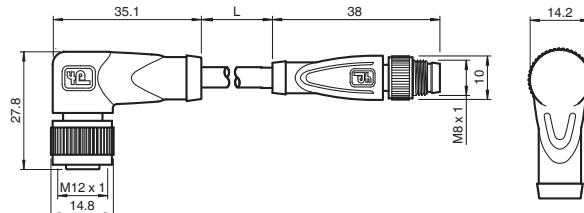
Features

- Knurled nut suitable for tool mounting
- Mechanical detent for vibration protection
- Gold-plated and machined contacts

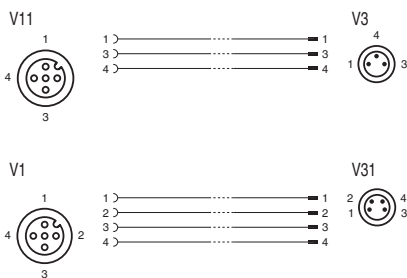
Technical data

Number of pins	3	4
Electrical data		
Operating voltage U_b	Max. 60 V AC/DC	Max. 30 V AC/DC
Testing voltage	> 1500 V_{eff} AC	
Operating current	Max. 3 A	
Volume resistance	< 5 m Ω	
Ambient conditions		
Ambient temperature	-40 ... 90 °C for body Information on cable quality can be found beginning on page 10	
Degree of pollution	3	
Mechanical data		
Contact elements	Spring-loaded contact sockets	
Pin diameter	1 mm	
Degree of protection	IP67	
Materials		
Contacts	CuSn / Au	
Contact surface	Au	
Body	TPU, green	
Coupling nut	Die-cast zinc	
Push-on sleeve	Die-cast zinc	

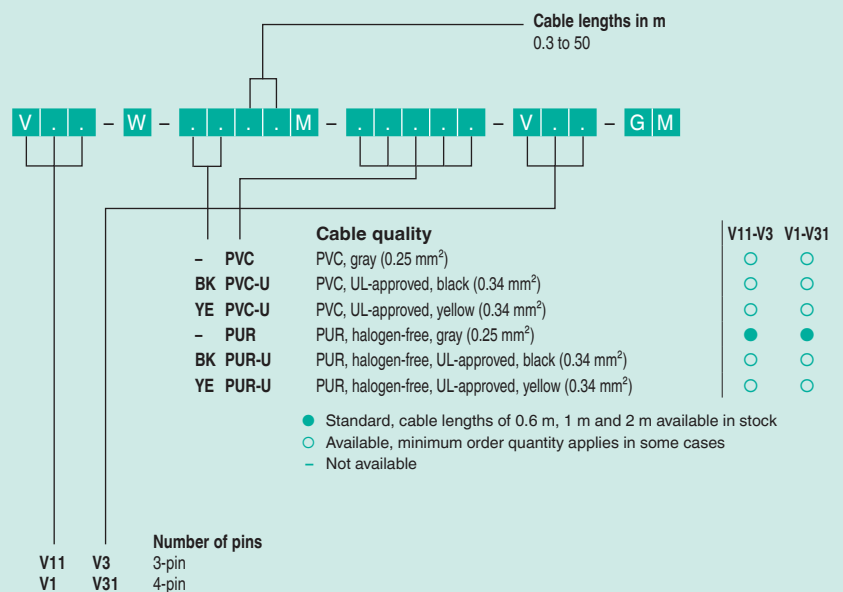
Dimensions



Electrical connection



Order codes



Sensor-actuator cable



Field-attachable connectors

Features

- Knurled nut suitable for tool mounting
- Mechanical detent for vibration protection
- Gold-plated and machined contacts

Junction blocks

Sensor-actuator splitters

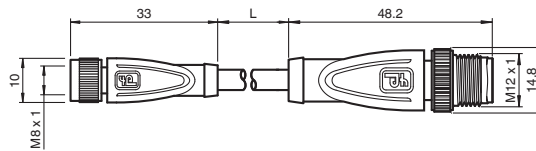
Sensor-actuator receptacles

Data connectors

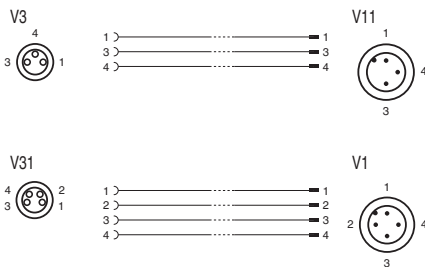
Technical data

Number of pins	3	4
Electrical data		
Operating voltage U_B	Max. 60 V AC/DC	Max. 30 V AC/DC
Testing voltage	> 1500 V _{eff} AC	
Operating current	Max. 3 A	
Volume resistance	< 5 mΩ	
Ambient conditions		
Ambient temperature	-40 ... 90 °C for body Information on cable quality can be found beginning on page 10	
Degree of pollution	3	
Mechanical data		
Contact elements	Spring-loaded contact sockets	
Pin diameter	1 mm	
Degree of protection	IP67 / IP68 / IP69K	
Materials		
Contacts	CuSn / Au	
Contact surface	Au	
Body	TPU, green	
Coupling nut	Die-cast zinc	
Push-on sleeve	Die-cast zinc	

Dimensions



Electrical connection



Order codes

Cable lengths in m
0.3 to 50

Order code structure: V . . - G M - M - V . . - G

Cable quality

- PVC	PVC, gray (0.25 mm ²)	V3-V11	V31-V1
BK PVC-U	PVC, UL-approved, black (0.34 mm ²)	○	○
YE PVC-U	PVC, UL-approved, yellow (0.34 mm ²)	○	○
- PUR	PUR, halogen-free, gray (0.25 mm ²)	○	○
BK PUR-U	PUR, halogen-free, UL-approved, black (0.34 mm ²)	●	●
YE PUR-U	PUR, halogen-free, UL-approved, yellow (0.34 mm ²)	○	○

● Standard, cable lengths of 0.6 m, 1 m and 2 m available in stock
○ Available, minimum order quantity applies in some cases
- Not available

Number of pins

V3	V11	3-pin
V31	V1	4-pin



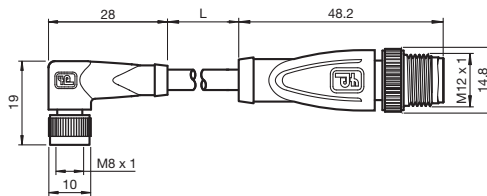
Features

- Knurled nut suitable for tool mounting
- Mechanical detent for vibration protection
- Gold-plated and machined contacts

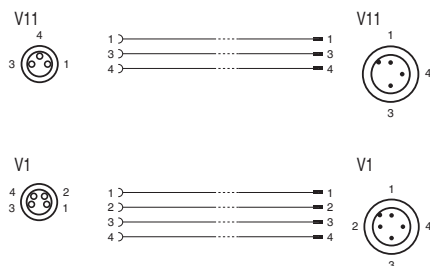
Technical data

Number of pins	3	4
Electrical data		
Operating voltage U_b	Max. 60 V AC/DC	Max. 30 V AC/DC
Testing voltage	> 1500 V_{eff} AC	
Operating current	Max. 3 A	
Volume resistance	< 5 m Ω	
Ambient conditions		
Ambient temperature	-40 ... 90 °C for body Information on cable quality can be found beginning on page 10	
Degree of pollution	3	
Mechanical data		
Contact elements	Spring-loaded contact sockets	
Pin diameter	1 mm	
Degree of protection	IP67	
Materials		
Contacts	CuSn / Au	
Contact surface	Au	
Body	TPU, green	
Coupling nut	Die-cast zinc	
Push-on sleeve	Die-cast zinc	

Dimensions



Electrical connection



Order codes

Cable lengths in m
0.3 to 50

V . . - W M - M - V . . - G

Cable quality

- PVC	PVC, gray (0.25 mm ²)	V3-V11	V31-V1
BK PVC-U	PVC, UL-approved, black (0.34 mm ²)	○	○
YE PVC-U	PVC, UL-approved, yellow (0.34 mm ²)	○	○
- PUR	PUR, halogen-free, gray (0.25 mm ²)	●	●
BK PUR-U	PUR, halogen-free, UL-approved, black (0.34 mm ²)	○	○
YE PUR-U	PUR, halogen-free, UL-approved, yellow (0.34 mm ²)	○	○

● Standard, cable lengths of 0.6 m, 1 m and 2 m available in stock
○ Available, minimum order quantity applies in some cases
- Not available

Number of pins

V3	V11	3-pin
V31	V1	4-pin